

Engineering Your
Competitive Edge
IN CONSTRUCTION



Kennametal CB10 Replacement Quick-Change Toolholders

NEW!

*...engineered specifically to replace
Wirtgen HT3 and HT3 Plus Toolholders*

- Specially hardened, wear-resistant upper section extends tool life!
- Heavy nose provides base protection and smooth material conveyance!
- Bit seat matches tool washer size for support without “rimming”!
- Easy to install and change!
- A proven consistent fit with Wirtgen pentagonal HT3 and HT3 Plus toolholders!



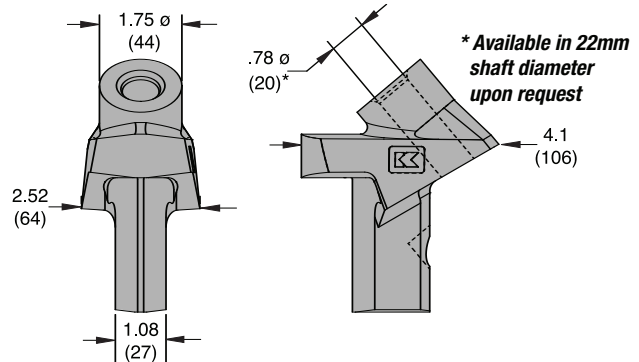
Set Screw
2992200

Plastic Cap
2992199

CB10 Toolholder
2508113

CB10 Replacement Ordering Information

Description	Kennametal Part No.	Wirtgen Description	Wirtgen Part No.
CB10 Toolholder	2508113	HT3 Plus Toolholder	128299
CB10 Toolholder	2508113	HT3 Toolholder	79999
Set Screw	2992200	HT3 Retainer Screw	79998
Plastic Cap	2992199	Plastic Cap	126110



**To place an order, call 800/458-3608
or visit www.kennametal.com**

Kennametal will significantly improve your reclamation and road planing productivity!
Let us prove it.

KENNAMETAL®
Engineering Your Competitive Edge