

Fax your request to Customer Service: 800/521-3319 or 814-623-4402, or contact your local Kennametal sales representative.

Order your new track pads today!

MOLD-ON TRACK PADS

Machine Mfg _____ Model # _____

OEM Shoe Part # _____ Master Links: Yes/No (circle)

Compound: _____ Rubber _____, Rubber w/wire _____, Poly (95A) _____, Soft Poly (85A) _____

Quantity Required _____

Mounting Design: Mold-On

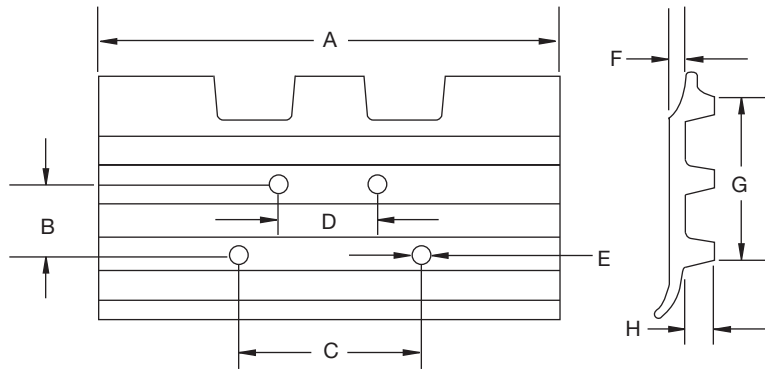
Chain Link & Pad Dimensions (please fill in all dimensions)

Shoe Width : A _____ Grouser Plate Thickness F _____

Shoe Bolt Pattern: B _____ Grouser Bar Width G _____

 C _____ Shoe Height H _____

 D _____ Bolt Hole ID E _____



Name _____ Company Name _____ E-mail: _____

Tel: _____ Fax: _____

Mailing Address _____

Shipping Address _____

.76" SHANK
 BLOCK SYSTEMS
 .86" SHANK
 CM SERIES
 SOIL STABILIZATION
 DRUMS
 ACCESSORIES
 TRACK PADS
 SCRAPER BLADES